

TECHNICAL DATA

TYPE

Professional LED, High efficacy, Up to 142 lm/w net.

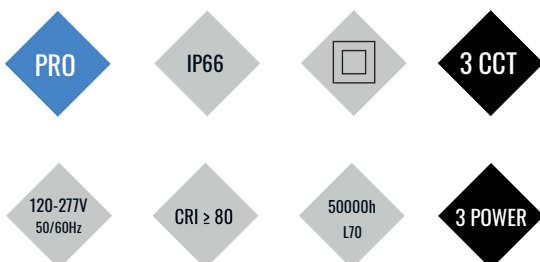
MATERIAL

Die-cast aluminum housing and tempered glass.

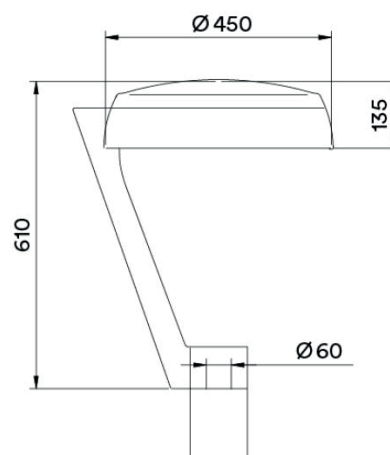
APPLICATIONS

Can be used in:

- Urban and residential areas.
- Parks and green spaces.
- Maritime promenades.
- Pedestrian areas.
- Cycle lanes and <30km/h areas.



DIMENSION DRAW



Model:	Mivar
Format:	Round
Location:	Exterior
Wattage:	100W
Materials:	Aluminum
Led Color:	3CCT
Product Dimension:	450x450x610mm
IP Code:	66
Fixation:	Surface
CRI :	80
Lumen Output:	14,200LM
Frequency:	50/60 Hz
Option:	3 POWER: 100W /120W/ 150W
CCT & POWER selectable:	3 CCT: 3000K/ 4000K/ 5000K

OUTDOOR

